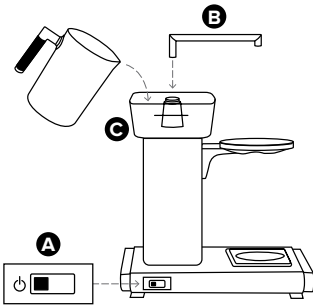


Cup-One

One 10 oz. cup

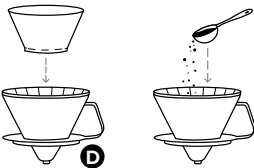


Step 1.

Set **Power Switch** to OFF (A)

Attach **Single-Hole Outlet Arm (B)**

Fill **Cool Water Reservoir (C)** with fresh, cool water

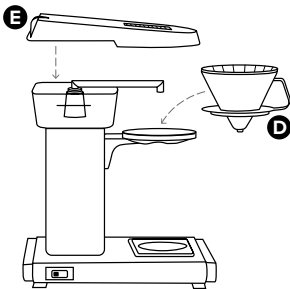


Step 2.

Place a **No. 1 filter** in **Brew Basket (D)**

Rinse filter with water

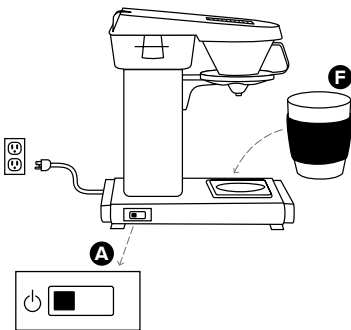
Add coffee (refer to the formula under "Water-to-Coffee Ratio")



Step 3.

Place **Brew Basket** in position (D)

Place **Cool Water Reservoir Lid (E)**



Step 4.

Place **Cup (F)** below Brew Basket

Plug into grounded outlet and turn

Power Switch to ON (A)

Enjoy a great cup of
coffee in about 4 minutes!



ATTENTION

- Outlet Arm is **HOT** while brewing
- Power switch will **NOT** illuminate if water is not present in the water reservoir.
- Use only paper No. 1 cone filters in brew basket.
- Clean brew basket regularly using a mild detergent and cleaning tool that will pass through the drip hole (such as the one included with the brewer) to prevent over-extraction and overflow.