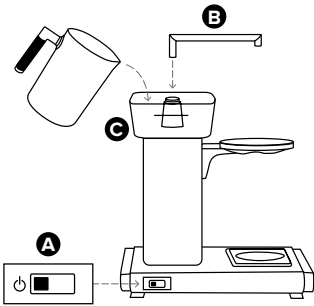


# Cup-One

One 10 oz. cup

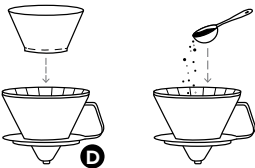


## Step 1.

Set **Power Switch** to OFF (A)

Attach **9-Hole Outlet Arm** (B)

Fill **Cool Water Reservoir** (C) with fresh, cool water

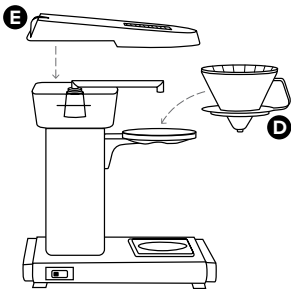


## Step 2.

Place a **No. 1 filter** in **Brew Basket** (D)

Rinse filter with water

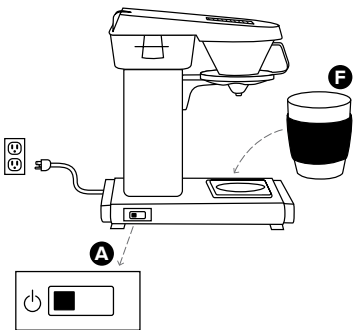
Add coffee (refer to the formula under "Water-to-Coffee Ratio")



## Step 3.

Place **Brew Basket** in position (D)

Place **Cool Water Reservoir Lid** (E)



## Step 4.

Place **Cup** (F) below Brew Basket

Plug into grounded outlet and turn

**Power Switch** to ON (A)

Enjoy a great cup of coffee in about 4 minutes!



## ATTENTION

- Outlet Arm is **HOT** while brewing
- Power switch will **NOT** illuminate if water is not present in the water reservoir.
- Use only paper No. 1 cone filters in brew basket.
- Clean brew basket regularly using a mild detergent and cleaning tool that will pass through the drip hole (such as the one included with the brewer) to prevent over-extraction and overflow.