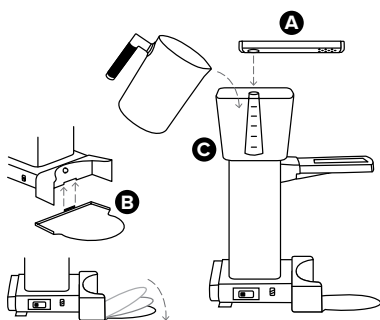


# KBGT & CDGT

1.25L / 40 oz. / 10 cups

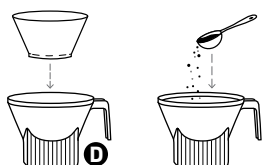


## Step 1.

Attach **9-Hole Outlet Arm (A)**

Affix **Footplate (required) (B)**

Fill **Cool Water Reservoir (C)** with fresh, cool water

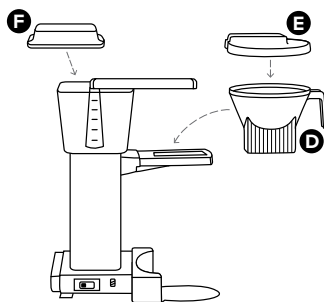


## Step 2.

Place a **No. 4 filter** in **Brew Basket (D)**

Rinse filter with water

Add coffee (refer to the formula under "Water-to-Coffee Ratio")

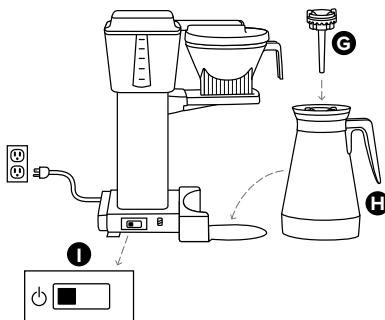


## Step 3.

Place **Brew Basket** in position **(D)**

Place **Brew Basket Lid (E)**

Place **Cool Water Reservoir Lid (F)**



## Step 4.

Screw **Brew-Thru Lid (G)** into **Thermal Carafe (H)**

Slide **Thermal Carafe (H)** into position, pressing it firmly against white button

Plug into grounded outlet, and turn **Power Switch** to **ON (I)**

**Pour yourself a great cup of coffee in about 4 to 6 minutes!**



## ATTENTION

- Outlet Arm is **HOT** while brewing
- **Footplate is not an optional component**; it must be used for proper operation of the brewer.

- Light on power switch will remain illuminated after brewing is complete; however, the boiling element turns off as soon as the water reservoir is empty.
- If intending to hold coffee in carafe for longer than an hour, switch to the Travel Lid for best results.